

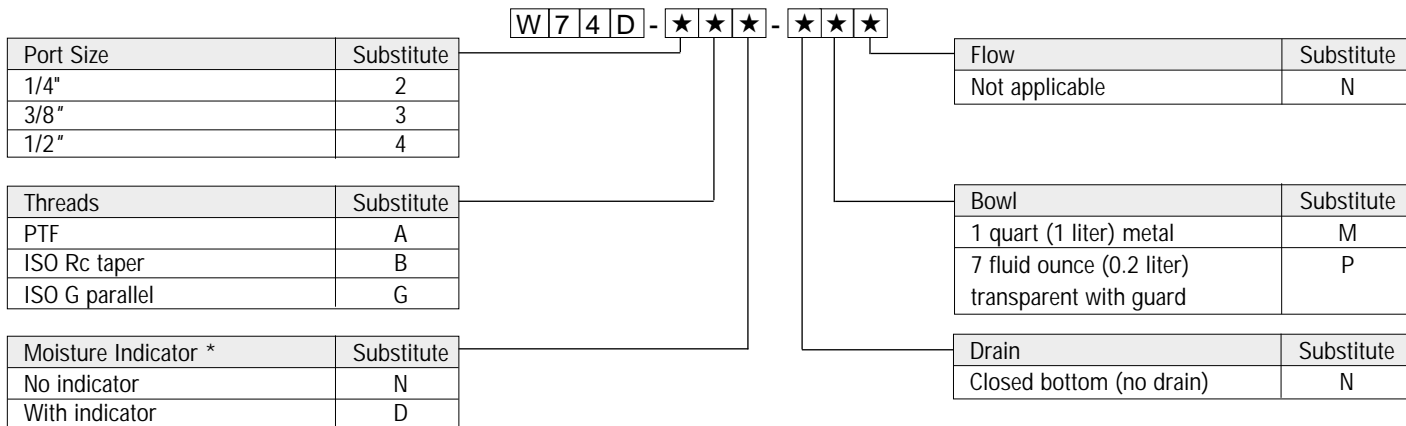
Excelon 74 Desiccant Compressed Air Dryer
1/4", 3/8", and 1/2" Port Sizes

- Excelon Quikclamp™ design provides in-line or modular installation with 72, 73 and 74 Series products.
- Helps eliminate condensate at point-of-use.
- Replaceable element filters outlet air to help prevent desiccant dust migration down stream.
- Desiccant color changes from orange to light green at the 35% moisture adsorption level at 77°F, and continues to an intense violet at the 50% moisture adsorption level at 77° (25°C).
- Transparent or metal bowl available. On models with metal bowl, moisture indicator on top of body indicates condition of desiccant.
- Desiccant can be dried and reused or replaced with new packet.
- Typical dew point suppression of 15°F (-10°C) below inlet ambient pressure dew point.

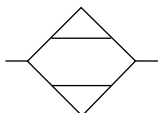


Ordering Information. Models listed include PTF threads and a closed bottom bowl.

Port Size	Bowl	Model	Weight lb (kg)
3/8"	Transparent, 7 fluid ounce (0.2 liter)	W74D-3AN-NPN	2.00 (0.91)
1/2"	Transparent, 7 fluid ounce (0.2 liter)	W74D-4AN-NPN	2.00 (0.91)
1/2"	Metal, 1 quart (1 liter)	W74D-4AD-NMN	4.25 (1.93)

Alternative Models


* Moisture indicator used only with dryers equipped with metal bowl.

ISO Symbols


Excelon 74 Desiccant Compressed Air Dryer

All Dimensions in Inches (mm)



Technical Data

Fluid: Compressed air

Maximum pressure

Transparent bowl: 150 psig (10 bar)

Metal bowl: 250 psig (17 bar)

Operating temperature*

Transparent bowl: 0° to 125°F (-20° to 50°C)

Metal bowl: 0° to 175°F (-20° to 80°C)

* Air supply must be dry enough to avoid ice formation at temperatures below 35°F (2°C).

Nominal bowl capacity

Transparent: 0.25 pounds (0.11 kg) desiccant

Metal: 1.25 pounds (0.57 kg) desiccant

Maximum allowable air flow:

7oz transparent bowl 10 scfm (4.72 dm³/g)

1 quart metal bowl 20 scfm (9.49 dm³/g)

Nominal air drying capacity at 100 psig (6.9 bar) inlet pressure and 77°F (25°C)

Transparent bowl: 750 cubic feet (21 cubic meters)

Metal bowl: 6000 cubic feet (170 cubic meters)

Minimum required prefilters: General purpose filter with 5-micron element and an oil removal filter with equivalent pipe size and flow capacity equal to or greater than the desiccant dryer. (Oil vapor removal filter suggested).

Desiccant regeneration: Desiccant can be dried and reused by removing from dryer and heating to 275°F (135°C). Regeneration is complete when desiccant returns to original orange color.

Moisture indicator leakage on models with metal bowl: Air continuously passes thru the moisture indicator and escapes to atmosphere. This is normal and does not indicate a faulty indicator.

Materials

Body: Aluminum

Bowl

Transparent: Polycarbonate with steel bowl guard

Metal: Aluminum

Supply tube assembly: Aluminum/stainless steel screen

Desiccant drying agent: Silica gel

Filter element: Sintered polypropylene

Elastomers: Neoprene and Nitrile

Moisture indicator materials - used only with 1 quart (1 liter) metal bowl

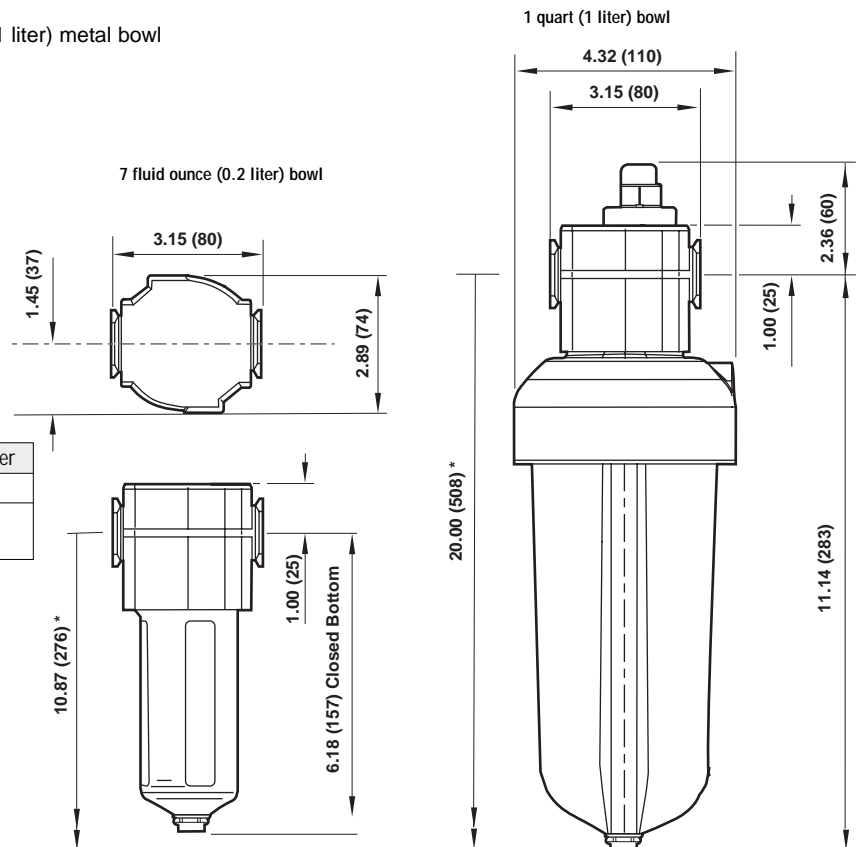
Body: Transparent nylon

Test paper: Cobalt chloride

Elastomers: Nitrile

Service Kits

Item	Type	Part Number
Service kit	Seal and filter element	4385-710
Desiccant	5 bags desiccant, 0.25 lb (0.11 kg) in each bag	4385-700



* Minimum clearance required to remove bowl.