

- Depth type, 40 µm filter element
- Balanced regulator valve minimizes effect of changes in inlet pressure on outlet pressure
- Low torque, non-rising regulator pressure adjusting knob
- All around (360°) visibility of the lubricator sight-feed dome simplifies installation and adjustment
- Lubricator flow sensor provides a nearly constant oil/air ratio over a wide range of air flows

Use Micro-Fog combinations in applications containing one or more points of lubrication

Use Oil-Fog combinations to lubricate a single tool, cylinder, or other air driven device



#### Technical Data

Fluid: Compressed air

Maximum pressure: 250 psig (17 bar)

Operating temperature\*: 0° to 175°F (-20° to 80°C)

\* Air supply must be dry enough to avoid ice formation at temperatures below 35°F (2°C).

Start point (minimum flow required for lubricator operation): 8 scfm (3.8 dm<sup>3</sup>/s) at 90 psig (6.3 bar) inlet pressure

Regulator gauge ports:

1/4" PTF with PTF main ports

R1/4 with ISO Rc, ISO G, and BSPP main ports

Nominal bowl size: 1 quart US (1 liter)

Manual drain connection: Will fit 1/8-27 and 1/8-28 pipe thread

Automatic drain connection: Will fit 1/8-27 and 1/8-28 pipe thread

Automatic drain operating conditions (float operated)

Bowl pressure required to close drain: Greater than 5 psig (0.3 bar)

Bowl pressure required to open drain: Less than 3 psig (0.2 bar)

Minimum air flow required to close drain: 2 scfm (1 dm<sup>3</sup>/s)

Manual operation: Depress pin inside drain outlet to drain bowl

Recommended lubricants: See Section ALE-29.

Materials

Bodies, bowls, regulator bonnet: Aluminum

Bowl sight glass: Pyrex

Filter element: Sintered bronze

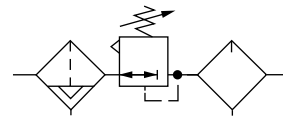
Regulator bottom plug: Acetal

Regulator valve: Aluminum and nylon

Lubricator sight-feed dome: Transparent nylon

Elastomers: Neoprene and nitrile

#### ISO Symbols



Filter with automatic drain, relieving regulator, lubricator with manual drain

See Section ALE-24 for Accessories



**Ordering Information.** Models listed have PTF port threads. Filters and lubricators have metal bowl with sight glass. Filters have 40 µm element and automatic drain. Lubricators have manual drain. Regulators are relieving type with gauge, knob adjustment, and outlet pressure adjustment range of 5 to 125 psig (0.3 to 8.5 bar)\*.

Port Size	Micro-Fog Models	Oil-Fog Models	Weight lbs (kg)
3/4"	P8A-660-A3DA	P8B-660-A3DA	6.69 (3.03)
1"	P8A-860-A3DA	P8B-860-A3DA	6.29 (2.85)
1-1/4"	P8A-A60-A3DA	P8B-A60-A3DA	7.51 (3.41)
1-1/2"	P8A-B60-A3DA	P8B-B60-A3DA	6.88 (3.12)

\* Outlet pressure can be adjusted to pressures in excess of, and less than, those specified. Do not use these units to control pressures outside of the specified ranges.

**Alternative Models**

★ 8 ★ - ★ ★ ★ - ★ ★ ★ ★

Regulator Adjustment	Substitute
T-bar	H
Knob	P

Lubricator Type	Substitute
Micro-Fog	A
Oil-Fog	B

Port Size	Substitute
3/4"	6
1"	8
1-1/4"	A
1-1/2"	B

Threads	Substitute
PTF	A
ISO Rc taper	B
BSP (1-1/2" ported units only)	C
ISO G parallel (not available with 1-1/2" ported units)	G

Lubricator Reservoir	Substitute
1 quart US (1 liter) metal, drain, sight glass	D

Filter Element	Substitute
40 µm	3

Filter Drain	Substitute
Automatic	A
Manual	M

Filter Bowl	Outlet Pressure Adjustment Range*		Relief Type	Gauge	Substitute
	psig	bar			
Metal, sight glass	5 to 125	0.3 to 8.5	Relieving	With	60
Metal, sight glass	5 to 125	0.3 to 8.5	Relieving	Without	61
Metal, sight glass	5 to 125	0.3 to 8.5	Non relieving	Without	62
Metal, sight glass	5 to 125	0.3 to 8.5	Non relieving	With	63
Metal, sight glass	5 to 50	0.3 to 3.5	Relieving	Without	64
Metal, sight glass	5 to 50	0.3 to 3.5	Relieving	With	65
Metal, sight glass	5 to 50	0.3 to 3.5	Non relieving	Without	66
Metal, sight glass	5 to 50	0.3 to 3.5	Non relieving	With	67
Metal, sight glass	10 to 250	0.7 to 17	Relieving	Without	76
Metal, sight glass	10 to 250	0.7 to 17	Relieving	With	77
Metal, sight glass	10 to 250	0.7 to 17	Non relieving	Without	76
Metal, sight glass	10 to 250	0.7 to 17	Non relieving	With	79

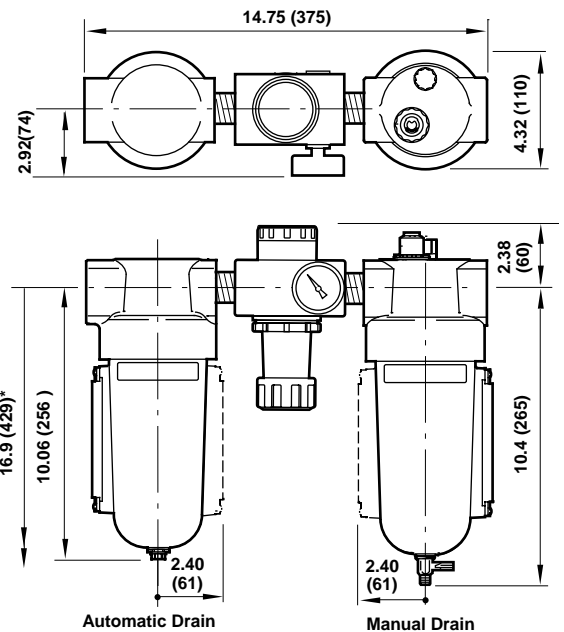
**Service Kits**

Item	Type	Part Number
Lubricator service kit	All o-rings, seals, gaskets	5771-02
Filter service kit	All o-rings, seals, gaskets	5578-05
	40 µm element	5311-03
Replacement drain	Automatic	3000-10
Sight glass kit *	Pyrex	2273-22
Regulator service kit **	Relieving	5578-02
	Non relieving	5578-01
Replacement drain	1/4 Turn	619-50

\* Sight glass kit contains bowl o-ring plus all o-rings, seals, screws, glass, and glass guard.

\*\* Regulator service kit contains, diaphragm, all o-rings, valve, and valve spring.

All Dimensions in Inches (mm)



\* Minimum clearance required to remove bowl.