



HT Series

No-Spill, Push-to-Connect Hydraulic Quick Disconnect Couplings



Applications:

- Commonly used on construction attachments, mobile equipment, hydraulic tools, oilfield and industrial hydraulics.

Sizes:

- 1/4" - 2"
- 3/8" body size in accordance with HTMA

Features:

- Unique coupler valve system maximizes pressure and flow performance
- Minimum 1,000,000 impulse cycles both connected and disconnected
- Heavy duty grooved sleeve is bulkhead mountable
- Easily rebuildable coupler and nipple
- Dust caps and plugs available
- Locking sleeve prevents accidental disconnection
- Steel componentry is plated using ROHS compliant caps zinc nickel for superior corrosion resistance
- Connect under pressure HTE available

Materials:

- Available in steel and 316 stainless steel
- Nitrile / Polyurethane seals standard - additional seal materials are available

Specifications:

- Temperature range: **-40°F to 212°F (-40°C to 100°C)** with standard seals
- **5000 PSI** from 1/4" - 1"
- ISO 16028 Interchange
- Interchangeable with Parker FEM, Stucchi, FIRG - Series A, Faster FFH, Eaton FF - FD89, Holmbury HQ

High Flow Performance!

Bulkhead mountable sleeve for breakaway, multi-plate, or Blindmate installations.

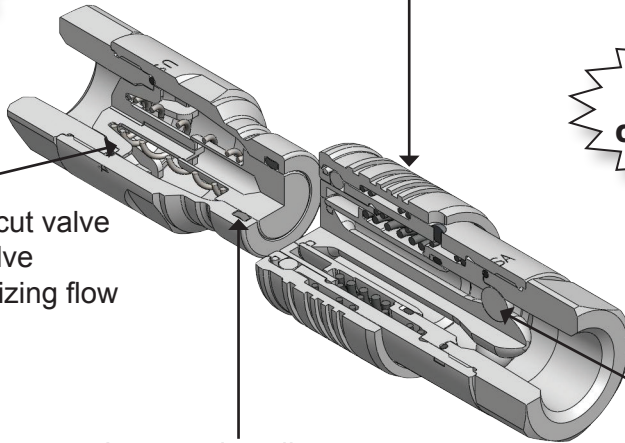
Easily Rebuildable Coupler & Nipple!

High strength laser-cut valve guide maximizes valve stability while minimizing flow restriction.

Compact Profile!

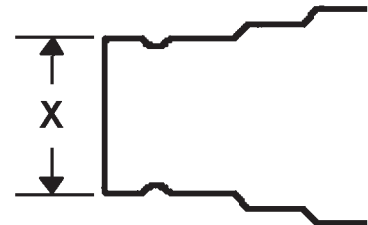
Improved sealing system incorporates a high performance molded polyurethane or O-ring energized PTFE valve seal.

DORS (dual opposing retention spheres) retention system prevents valve stem ejection during surge flow and pressure spike conditions.



Using the Nipple Profile Dimensions to Select Proper Size

ISO16028 Body Size	Minimum Dimension 'X' Measurement	Maximum Dimension 'X' Measurement
1/4"	0.634" (16.10 mm)	0.638" (16.20 mm)
3/8"	0.774" (19.66 mm)	0.779" (19.79 mm)
1/2"	0.963" (24.45 mm)	0.968" (24.58 mm)
5/8"	1.061" (26.95 mm)	1.066" (27.08 mm)
3/4"	1.176" (29.87 mm)	1.181" (30.00 mm)
1"	1.415" (35.94mm)	1.420" (36.07 mm)



Made in the USA



connect with us on



Dixon Quick Coupling

2925 Chief Court • Dallas, NC 28034
 ph 800.839.8980 • fx 800.839.9022
dixonvalve.com