

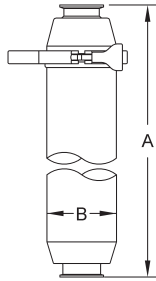


### Strainers

#### In-line - BSCCQ



short



**Feature**

- Bevel seat, I-line, and weld ends available, call Dixon Sanitary at 800.789.1718 for information

**Approval**

- Must be vertically mounted to be 3A compliant

**Short**

Size	Dimensions		316L Stainless Steel 1/4" Perforations Part #	316L Stainless Steel 1/8" Perforations Part #
	A	B		
1"	15.75	4.00	BSCCQ1-R100	BSCCQ1-R10018
1-1/2"	15.75	4.00	BSCCQ1-R150	BSCCQ1-R15018
2"	15.75	4.00	BSCCQ1-R200	BSCCQ1-R20018
2-1/2"	15.75	4.50	BSCCS1-R250	BSCCQ1-R25018
3"	15.75	4.50	BSCCS1-R300	BSCCQ1-R30018

**Long**

Size	Dimensions		316L Stainless Steel 1/4" Perforations Part #	316L Stainless Steel 1/8" Perforations Part #
	A	B		
1-1/2"	35.375	4.00	BSCCQ2-R150	BSCCQ2-R15018
2"	35.375	4.00	BSCCQ2-R200	BSCCQ2-R20018
3"	35.375	4.50	BSCCS2-R300	BSCCQ2-R30018



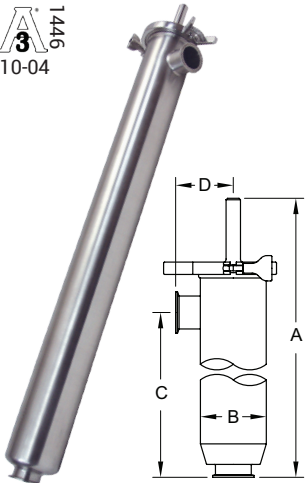
#### Side-Entry - BSCCQ

**Features**

- Can be serviced in-line
- Bevel seat, I-line, and weld ends available; call Dixon for information

**Approval**

- Must be vertically mounted to be 3A compliant



long

Size	Dimensions				316L Stainless Steel 1/4" Perforations Part #	316L Stainless Steel 1/8" Perforations Part #
	A	B	C	D		
1-1/2"	41.90	4.00	35.00	3.50	BSCCQ3-R150	BSCCQ3-R15018
2"	41.90	4.00	35.00	3.50	BSCCQ3-R200	BSCCQ3-R20018
3"	41.90	4.50	35.00	3.75	BSCCQ3-R300	BSCCQ3-R30018

M

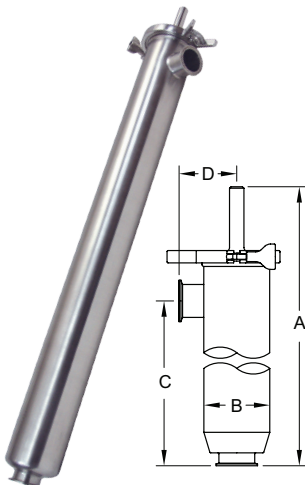
#### Side-Outlet - BSCCQ

**Features**

- Bevel seat, I-line and weld ends available, call Dixon for information
- Can be serviced in-line

**Approval**

- Must be vertically mounted to be 3A compliant



Size	Dimensions				316L Stainless Steel 1/4" Perforations Part #	316L Stainless Steel 1/8" Perforations Part #
	A	B	C	D		
1-1/2"	41.90	4.00	35.00	3.50	BSCCQ4-R150	BSCCQ4-R15018
2"	41.90	4.00	35.00	3.50	BSCCQ4-R200	BSCCQ4-R20018
3"	41.90	4.50	35.00	3.75	BSCCQ4-R300	BSCCQ4-R30018