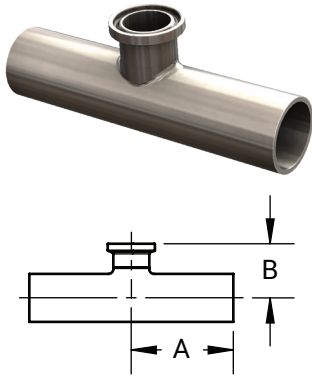


High Purity BioPharm Line

Weld x Weld x Clamp Short Outlet Reducing Tees - T7RWWMS

621
3
63-04

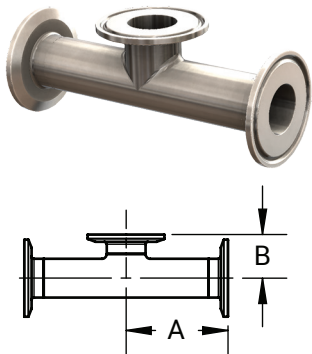


BPE Table DT-4.1.2-7
ASME BPE 2019

| Tube O.D. | A (in) | B (in) | Nominal Wall (in) | PL Finish - SF1 | PM Finish - SF4 |
|-----------------|--------|--------|-------------------|-----------------|-----------------|
| 3/4" x 1/2" | 2.000 | 1.000 | 0.065 | T7RWWMS075050PL | T7RWWMS075050PM |
| 1" x 1/2" | 2.125 | 1.125 | 0.065 | T7RWWMS100050PL | T7RWWMS100050PM |
| 1" x 3/4" | 2.125 | 1.125 | 0.065 | T7RWWMS100075PL | T7RWWMS100075PM |
| 1-1/2" x 1/2" | 2.375 | 1.375 | 0.065 | T7RWWMS150050PL | T7RWWMS150050PM |
| 1-1/2" x 3/4" | 2.375 | 1.375 | 0.065 | T7RWWMS150075PL | T7RWWMS150075PM |
| 1-1/2" x 1" | 2.375 | 1.375 | 0.065 | T7RWWMS150100PL | T7RWWMS150100PM |
| 2" x 1/2" | 2.875 | 1.625 | 0.065 | T7RWWMS200050PL | T7RWWMS200050PM |
| 2" x 3/4" | 2.875 | 1.625 | 0.065 | T7RWWMS200075PL | T7RWWMS200075PM |
| 2" x 1" | 2.875 | 1.625 | 0.065 | T7RWWMS200100PL | T7RWWMS200100PM |
| 2" x 1-1/2" | 2.875 | 1.625 | 0.065 | T7RWWMS200150PL | T7RWWMS200150PM |
| 2-1/2" x 1/2" | 3.125 | 1.875 | 0.065 | T7RWWMS250050PL | T7RWWMS250050PM |
| 2-1/2" x 3/4" | 3.125 | 1.875 | 0.065 | T7RWWMS250075PL | T7RWWMS250075PM |
| 2-1/2" x 1" | 3.125 | 1.875 | 0.065 | T7RWWMS250100PL | T7RWWMS250100PM |
| 2-1/2" x 1-1/2" | 3.125 | 1.875 | 0.065 | T7RWWMS250150PL | T7RWWMS250150PM |
| 2-1/2" x 2" | 3.125 | 1.875 | 0.065 | T7RWWMS250200PL | T7RWWMS250200PM |
| 3" x 1/2" | 3.375 | 2.125 | 0.065 | T7RWWMS300050PL | T7RWWMS300050PM |
| 3" x 3/4" | 3.375 | 2.125 | 0.065 | T7RWWMS300075PL | T7RWWMS300075PM |
| 3" x 1" | 3.375 | 2.125 | 0.065 | T7RWWMS300100PL | T7RWWMS300100PM |
| 3" x 1-1/2" | 3.375 | 2.125 | 0.065 | T7RWWMS300150PL | T7RWWMS300150PM |
| 3" x 2" | 3.375 | 2.125 | 0.065 | T7RWWMS300200PL | T7RWWMS300200PM |
| 3" x 2-1/2" | 3.375 | 2.125 | 0.065 | T7RWWMS300250PL | T7RWWMS300250PM |
| 4" x 1/2" | 4.125 | 2.625 | 0.083 | T7RWWMS400050PL | T7RWWMS400050PM |
| 4" x 3/4" | 4.125 | 2.625 | 0.083 | T7RWWMS400075PL | T7RWWMS400075PM |
| 4" x 1" | 4.125 | 2.625 | 0.083 | T7RWWMS400100PL | T7RWWMS400100PM |
| 4" x 1-1/2" | 4.125 | 2.625 | 0.083 | T7RWWMS400150PL | T7RWWMS400150PM |
| 4" x 2" | 4.125 | 2.625 | 0.083 | T7RWWMS400200PL | T7RWWMS400200PM |
| 4" x 2-1/2" | 4.125 | 2.625 | 0.083 | T7RWWMS400250PL | T7RWWMS400250PM |
| 4" x 3" | 4.125 | 2.625 | 0.083 | T7RWWMS400300PL | T7RWWMS400300PM |
| 6" x 3" | 5.625 | 3.625 | 0.109 | T7RWWMS600300PL | T7RWWMS600300PM |
| 6" x 4" | 5.625 | 3.750 | 0.109 | T7RWWMS600400PL | T7RWWMS600400PM |

M

621
3
63-04



BPE Table DT-4.1.2-5
ASME BPE 2019

Clamp x Clamp x Clamp Short Outlet Tees - T7MPS

| Tube O.D. | A (in) | B (in) | PL Finish - SF1 | PM Finish - SF4 |
|-----------|--------|--------|-----------------|-----------------|
| 1/2" | 2.375 | 1.000 | T7MPS-050PL | T7MPS-050PM |
| 3/4" | 2.500 | 1.125 | T7MPS-075PL | T7MPS-075PM |
| 1" | 2.625 | 1.125 | T7MPS-100PL | T7MPS-100PM |
| 1-1/2" | 2.875 | 1.375 | T7MPS-150PL | T7MPS-150PM |
| 2" | 3.375 | 1.625 | T7MPS-200PL | T7MPS-200PM |
| 2-1/2" | 3.625 | 1.875 | T7MPS-250PL | T7MPS-250PM |
| 3" | 3.875 | 2.125 | T7MPS-300PL | T7MPS-300PM |
| 4" | 4.750 | 2.750 | T7MPS-400PL | T7MPS-400PM |
| 6" | 7.125 | 4.625 | T7MPS-600PL | T7MPS-600PM |

NOTE: BPE 2019 Specifications
 PL Finish – SF1
 O.D. = 32Ra Mechanically Polished
 I.D. = 20Ra Mechanically Polished
 PM Finish – SF4
 O.D. = 32Ra Mechanically Polished
 I.D. = 15Ra Mechanically Polished and Electropolished