

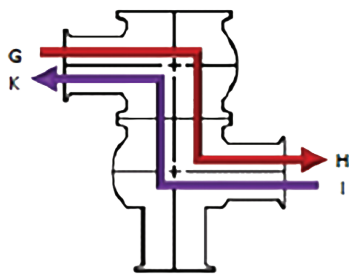
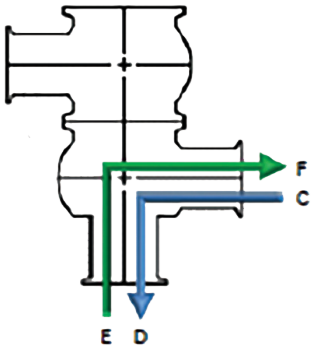


The Right Connection®

# SSV Series Single Seat Valves

## Pressure Drop Charts

### Single Seat - Divert

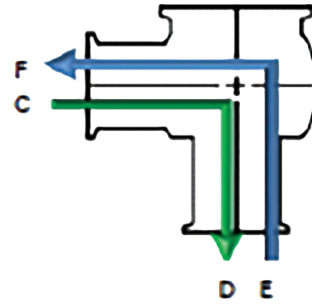
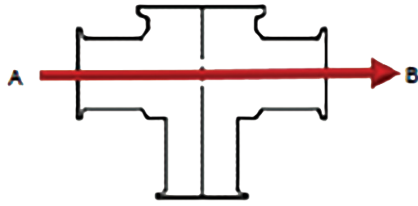


Δp [psi]	Valve Size							
	1"				1½"			
	C-D	E-F	G-H	I-K	C-D	E-F	G-H	I-K
	Q[GPM]	Q[GPM]	Q[GPM]	Q[GPM]	Q[GPM]	Q[GPM]	Q[GPM]	Q[GPM]
3.6	26.40	25.52	27.10	26.84	65.34	63.27	67.19	66.44
7.3	37.40	36.08	38.28	38.02	92.40	89.50	95.04	94.16
14.5	52.67	51.04	54.16	53.77	130.68	126.54	134.77	133.32
21.8	64.68	62.48	66.44	65.82	160.16	155.01	164.56	163.24
29.0	74.49	72.16	76.56	76.03	184.80	179.08	190.08	188.54
36.3	83.29	80.70	85.67	84.92	206.62	200.20	212.52	210.76
43.5	91.21	88.44	93.85	93.10	226.34	219.16	232.76	231.00
50.8	98.56	95.48	101.20	100.58	244.51	236.72	251.24	249.48
58.0	105.34	102.08	107.49	107.36	261.36	253.09	268.40	266.64
65.3	111.76	108.24	114.84	113.96	277.20	268.40	285.12	282.92
72.5	117.74	114.14	121.18	120.12	292.16	282.92	300.52	298.32

Δp [psi]	Valve Size							
	2"				2½"			
	C-D	E-F	G-H	I-K	C-D	E-F	G-H	I-K
	Q[GPM]	Q[GPM]	Q[GPM]	Q[GPM]	Q[GPM]	Q[GPM]	Q[GPM]	Q[GPM]
3.6	121.66	117.92	125.18	124.08	195.36	189.42	201.08	199.76
7.3	172.04	166.76	176.88	175.56	276.32	267.87	284.24	282.04
14.5	243.32	235.84	250.36	248.16	390.72	378.84	402.16	399.08
21.8	298.01	288.86	306.68	304.04	478.54	464.20	492.36	488.84
29.0	344.08	333.52	354.20	351.12	552.55	535.92	568.92	564.52
36.3	384.74	372.90	396.00	392.48	617.76	599.02	635.80	630.96
43.5	421.52	408.50	433.84	429.88	676.72	656.17	696.52	691.24
50.8	455.40	441.32	468.60	464.20	730.97	708.84	752.40	746.68
58.0	486.64	471.68	500.72	496.32	781.44	757.68	804.32	798.16
65.3	516.12	500.28	531.08	526.24	828.96	803.66	853.16	846.56
72.5	544.28	527.56	559.68	554.84	873.84	847.13	899.36	892.32

Δp [psi]	Valve Size							
	3"				4"			
	C-D	E-F	G-H	I-K	C-D	E-F	G-H	I-K
	Q[GPM]	Q[GPM]	Q[GPM]	Q[GPM]	Q[GPM]	Q[GPM]	Q[GPM]	Q[GPM]
3.6	286.53	277.68	294.80	292.60	511.28	495.53	525.80	521.84
7.3	404.80	392.70	416.90	413.60	723.05	700.74	743.60	737.88
14.5	573.01	555.37	589.60	585.20	1022.56	991.01	1051.60	1043.68
21.8	701.80	680.24	722.04	717.20	1252.37	1213.74	1287.88	1278.20
29.0	810.48	785.40	833.80	827.64	1446.10	1401.49	1487.20	1476.20
36.3	906.05	878.24	932.80	925.32	1617.00	1567.28	1663.20	1650.00
43.5	992.51	961.93	1021.24	1013.76	1771.13	1716.44	1821.60	1808.40
50.8	1072.02	1039.02	1103.08	1094.72	1913.12	1854.16	1967.24	1953.60
58.0	1146.02	1110.74	1179.20	1170.40	2045.12	1982.02	2103.20	2087.36
65.3	1215.54	1178.10	1250.92	1241.24	2169.20	2102.23	2230.80	2214.08
72.5	1281.28	1241.86	1318.24	1308.56	2286.68	2215.97	2351.36	2333.76

## Single Seat - Shut-Off



Δp [psi]	Valve Size								
	1"			1½"			2"		
	A-B	C-D	E-F	A-B	C-D	E-F	A-B	C-D	E-F
	Q[GPM]	Q[GPM]	Q[GPM]	Q[GPM]	Q[GPM]	Q[GPM]	Q[GPM]	Q[GPM]	Q[GPM]
3.6	26.75	26.40	25.52	66.35	65.34	63.27	123.64	121.66	117.92
7.3	37.84	37.40	36.08	93.85	92.40	89.50	166.06	172.04	166.76
14.5	53.52	52.67	51.04	132.70	130.68	126.54	247.28	243.32	235.84
21.8	65.56	64.68	62.48	162.54	160.16	155.01	302.85	298.01	288.86
29.0	75.68	74.49	72.16	187.66	184.80	179.08	349.80	344.08	333.52
36.3	84.61	83.29	80.70	209.88	206.62	200.20	390.98	384.74	372.90
43.5	92.84	91.21	88.44	229.86	226.34	219.16	428.30	421.52	408.50
50.8	100.14	98.56	95.48	248.29	244.51	236.72	462.62	455.40	441.32
58.0	107.05	105.34	102.08	265.32	261.36	253.09	494.56	486.64	471.68
65.3	113.52	111.76	108.24	281.60	277.20	268.40	524.57	516.12	500.28
72.5	119.68	117.74	114.14	296.74	292.16	282.92	553.08	544.28	527.56

Δp [psi]	Valve Size								
	2½"			3"			4"		
	A-B	C-D	E-F	A-B	C-D	E-F	A-B	C-D	E-F
	Q[GPM]	Q[GPM]	Q[GPM]	Q[GPM]	Q[GPM]	Q[GPM]	Q[GPM]	Q[GPM]	Q[GPM]
3.6	198.57	195.36	189.42	291.28	286.53	277.68	519.64	511.28	495.53
7.3	280.81	276.32	267.87	411.93	404.80	392.70	734.80	723.05	700.74
14.5	397.14	390.72	378.84	582.56	573.01	555.37	1039.28	1022.56	991.01
21.8	486.42	478.54	464.20	713.50	701.80	680.24	1272.92	1252.37	1213.74
29.0	561.66	552.55	535.92	823.86	810.48	785.40	1469.78	1446.10	1401.49
36.3	627.92	617.76	599.02	921.10	906.05	878.24	1643.27	1617.00	1567.28
43.5	687.90	676.72	656.17	1009.05	992.51	961.93	1800.04	1771.13	1716.44
50.8	742.98	730.97	708.84	1089.88	1072.02	1039.02	1944.36	1913.12	1854.16
58.0	794.29	781.44	757.68	1165.12	1146.02	1110.74	2078.56	2045.12	1982.02
65.3	842.60	828.96	803.66	1235.96	1215.54	1178.10	2204.40	2169.20	2102.23
72.5	888.05	873.84	847.13	1302.40	1281.28	1241.86	2324.08	2286.68	2215.97

## Dixon Sanitary

N25 W23040 Paul Road • Pewaukee, WI 53072

ph: 800.789.1718 • 262.513.6900 • fx: 800.789.4046 • 262.513.4904

dixonvalve.com

Printed in the USA

connect with us on

