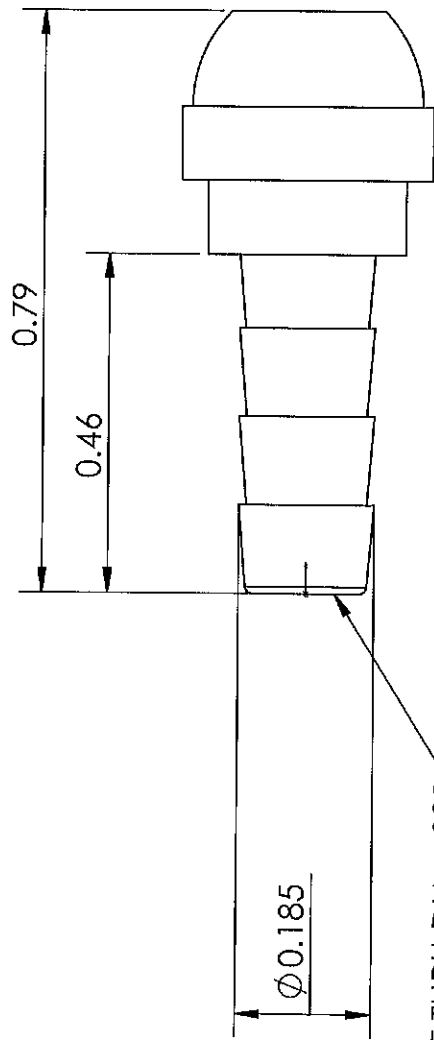
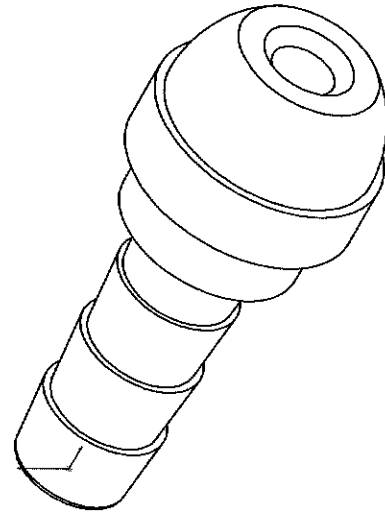


LINE DRAWING NOT FOR PRODUCTION PURPOSES



HOLE THRU DIA. .093



THIS DRAWING CONTAINS INFORMATION DEEMED PROPRIETARY TO DIXON BRASS AND IS TO BE USED ONLY FOR THE PURPOSE FOR WHICH IT IS SUBMITTED. AND FURTHER, SHALL NOT BE COPIED IN WHOLE OR IN PART WITHOUT EXPRESS WRITTEN PERMISSION FIRST OBTAINED FROM DIXON BRASS. UNLESS OTHERWISE SPECIFIED:

DIMENSIONS ARE IN INCHES
TOLERANCES:
ANGLES: $\pm 0^{\circ}30'$
XX (± 0.10)
XXX (± 0.005)
DIMENSIONS PER ANSI Y14.5



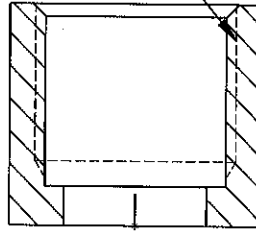
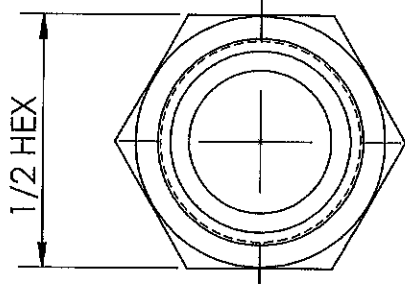
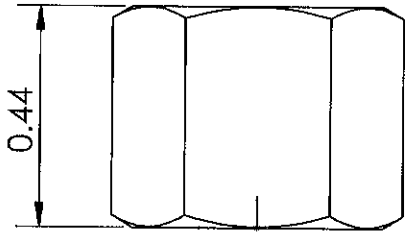
Dixon Brass
Westmont, Illinois USA

DRAWING NOT REPRODUCED TO SCALE
DRAWN: P. MCNAGHAN / 2/27/14
APPROVED: [Signature]
DATE: [Blank]
ECO NO. [Blank]

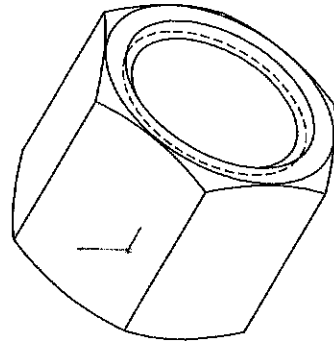
TITLE: 1/8 SWIVEL STEM BALL TYPE

SIZE: **A**
DWG. NO.: 1240202S
REV: **C**

LINE DRAWING NOT FOR PRODUCTION PURPOSES



1/8 - 27 NPSM
THREAD



THIS DRAWING CONTAINS INFORMATION DEEMED PROPRIETARY TO DIXON BRASS AND IS SO TO BE USED ONLY FOR THE PURPOSE FOR WHICH IT IS SUBMITTED, AND FURTHER, SHALL NOT BE COPIED IN WHOLE OR IN PART WITHOUT EXPRESS WRITTEN PERMISSION FIRST OBTAINED FROM DIXON BRASS. UNLESS OTHERWISE SPECIFIED:		DRAWN P. MONAGHAN DATE 2/27/14	
DIMENSIONS ARE IN INCHES		APPROVED DATE	
TOLERANCES: ANGLES: ±0°-30' FRACTIONS: XX (±.010) XXX (±.005)		ECO NO.	
DIMENSIONS PER ANSI Y14.5		DRAWING NOT REPRODUCED TO SCALE	
DIXON The Right Connection [®]		Dixon Brass Westmont, Illinois USA	
TITLE: FEMALE SWIVEL NUT 1/8 - 27 NPSM		SIZE A	DWG. NO. 1240202N
		REV	C