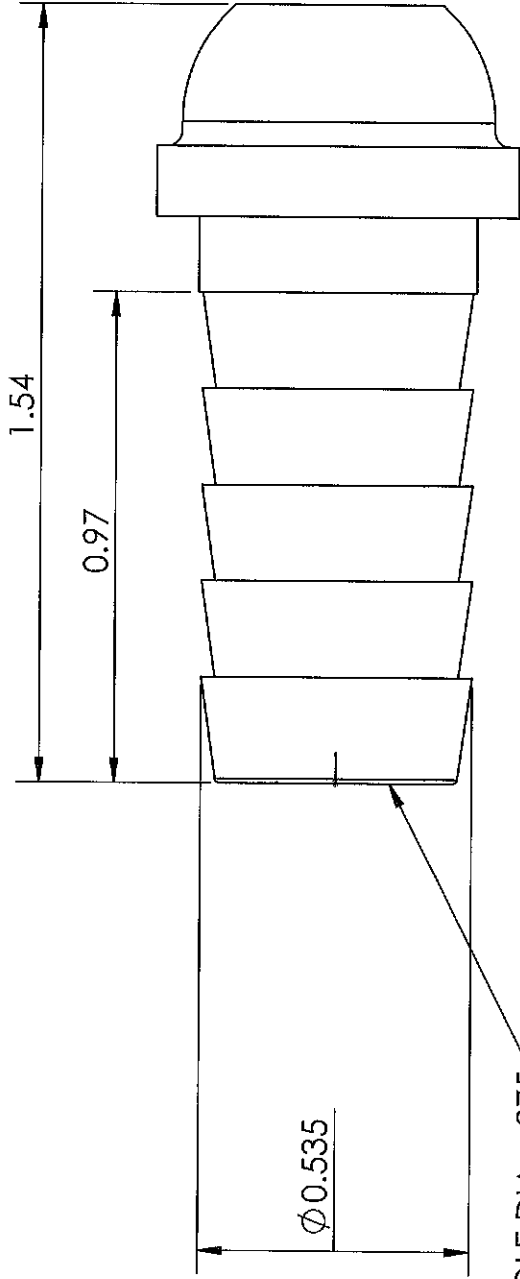
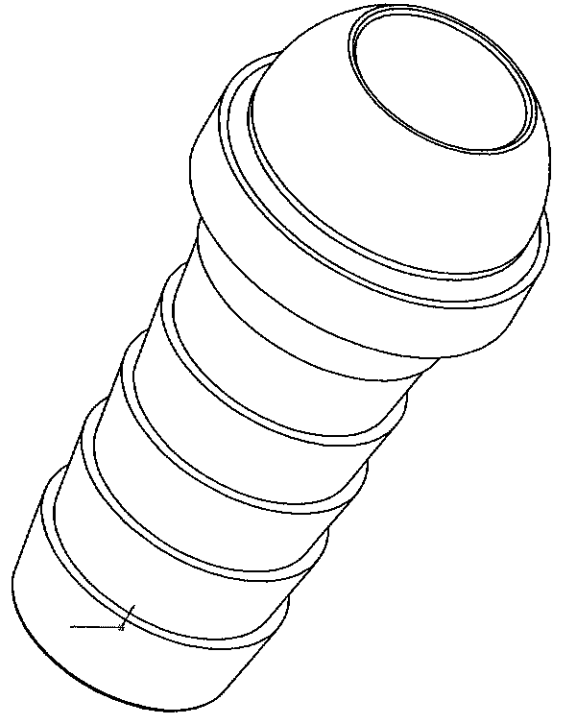


LINE DRAWING NOT FOR PRODUCTION PURPOSES



THRU HOLE DIA. .375



THIS DRAWING CONTAINS INFORMATION DEEMED PROPRIETARY TO DIXON BRASS AND IS TO BE USED ONLY FOR THE PURPOSE FOR WHICH IT IS SUBMITTED, AND FURTHER, SHALL NOT BE COPIED IN WHOLE OR IN PART WITHOUT EXPRESS WRITTEN PERMISSION FIRST OBTAINED FROM DIXON BRASS UNLESS OTHERWISE SPECIFIED:

DIMENSIONS ARE IN INCHES
TOLERANCES:
ANGLES: $\pm 30'$
X (± 0.15)
XX (± 0.10)
XXX (± 0.05)
DIMENSIONS PER ANSI Y14.5



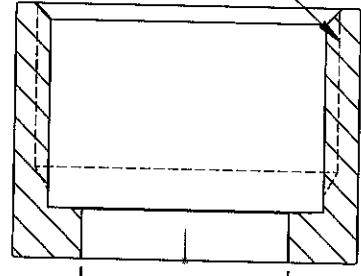
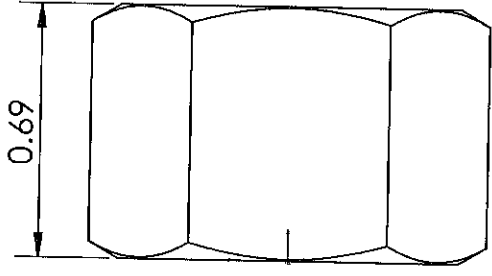
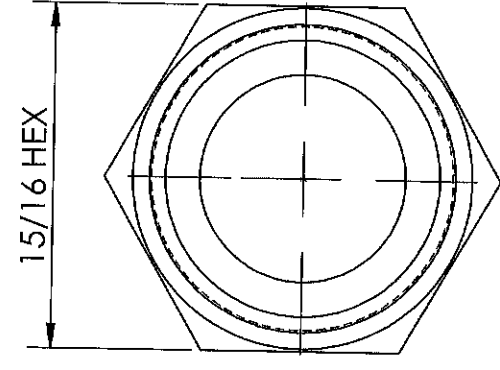
Dixon Brass
Westmont, Illinois USA

DATE: 2/28/14
DRAWN: P. MONAGHAN
APPROVED: [Signature]

ECO NO. [Blank]

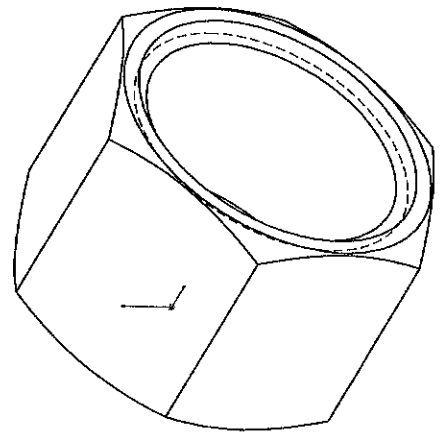
TITLE: 1/2 SWIVEL STEM BALL TYPE
DRAWING NOT REPRODUCED TO SCALE
SIZE: A
DWG. NO.: 1240808S
REV: C

LINE DRAWING NOT FOR PRODUCTION PURPOSES



(THRU HOLE DIA.) $\phi 0.56$

1/2 - 14 NPSM
THREAD



THIS DRAWING CONTAINS INFORMATION DEEMED PROPRIETARY TO DIXON BRASS AND IS SO TO BE USED ONLY FOR THE PURPOSE FOR WHICH IT IS SUBMITTED, AND FURTHER, SHALL NOT BE COPIED IN WHOLE OR IN PART WITHOUT EXPRESS WRITER PERMISSION FIRST OBTAINED FROM DIXON BRASS, UNLESS OTHERWISE SPECIFIED:

DIMENSIONS ARE IN INCHES
 TOLERANCES:
 ANGLES: $\pm 30'$
 .X (± 0.15)
 .XX (± 0.10)
 .XXX (± 0.05)
 DIMENSIONS PER ANSI Y14.5

Dixon Brass
Westmont, Illinois USA

DIXON
The Right Connection™

DRAWN	DATE
P. MONAGHAN	2/27/14
APPROVED	DATE
ECO NO.	

TITLE: FEMALE SWIVEL NUT
1/2 - 14 NPSM

SIZE	DWG. NO.	REV
A	1240608N	D

DRAWING NOT REPRODUCED TO SCALE