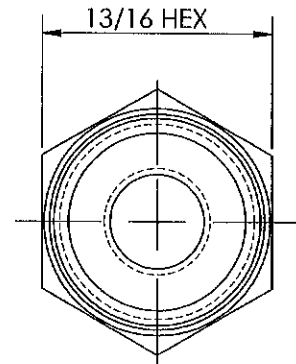
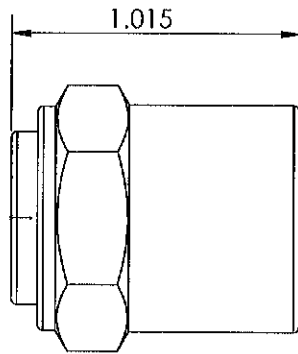
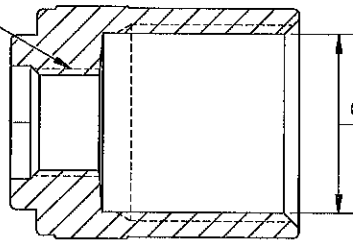


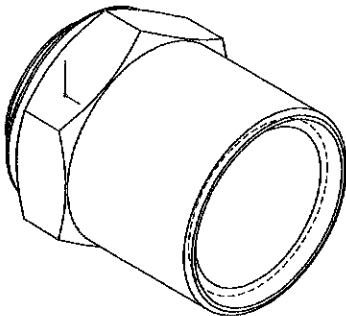
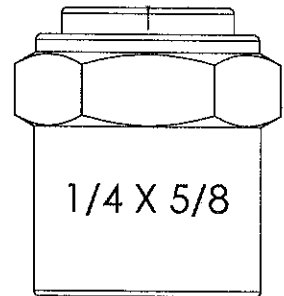
LINE DRAWING NOT FOR PRODUCTION PURPOSES




3/8 - 24 UNF-2B
HOSE I.D. 1/4

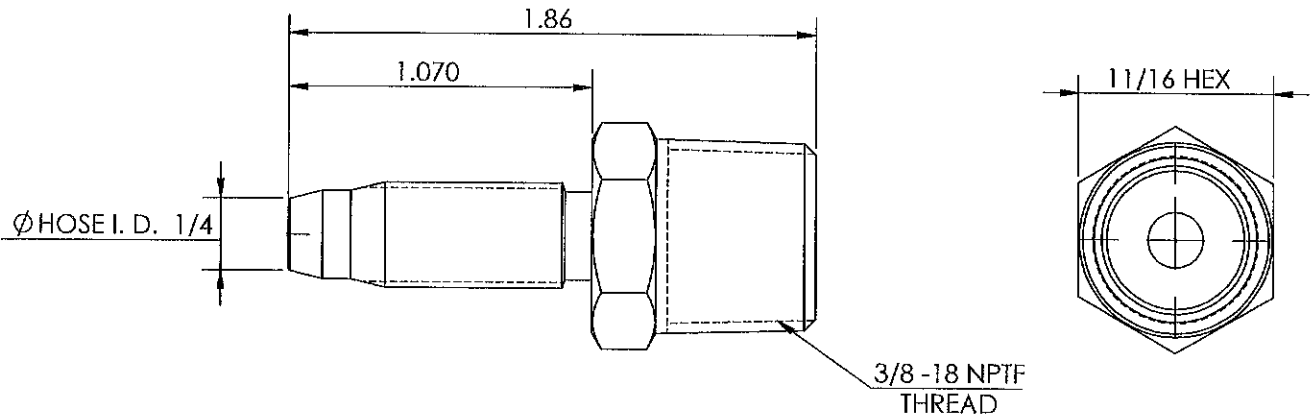


Ø HOSE O.D. 5/8

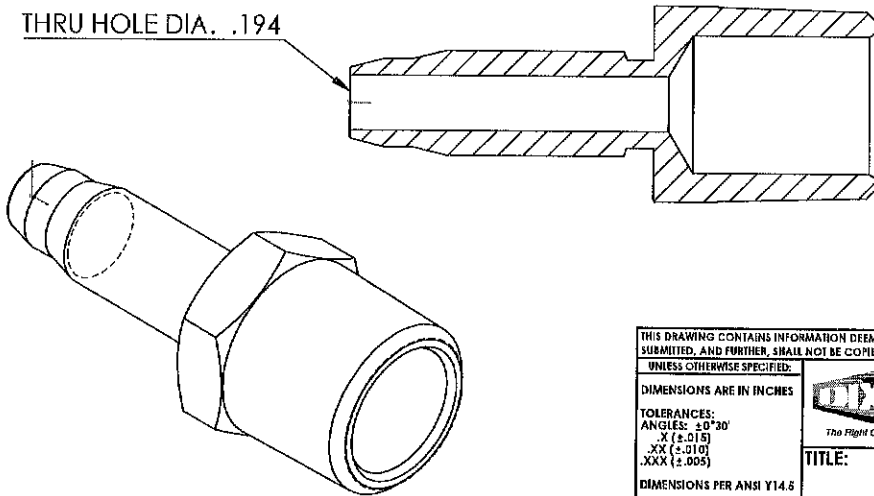



THIS DRAWING CONTAINS INFORMATION DEEMED PROPRIETARY TO DIXON BRASS AND IS TO BE USED ONLY FOR THE PURPOSE FOR WHICH IT IS SUBMITTED, AND FURTHER, SHALL NOT BE COPIED IN WHOLE OR IN PART WITHOUT EXPRESS WRITTEN PERMISSION FIRST OBTAINED FROM DIXON BRASS.			
UNLESS OTHERWISE SPECIFIED:			
DIMENSIONS ARE IN INCHES			Dixon Brass Westmont, Illinois USA
TOLERANCES: ANGLES: 10°±30° .X (±.015) .XX (±.010) .XXX (±.005)			
DIMENSIONS PER ANSI Y14.5		TITLE: REUSABLE FERRULE	DRAWING NOT REPRODUCED TO SCALE DWG. NO. 1800410F
		SIZE A	REV B

LINE DRAWING NOT FOR PRODUCTION PURPOSES



THRU HOLE DIA. .194



THIS DRAWING CONTAINS INFORMATION DEEMED PROPRIETARY TO DIXON BRASS AND IS TO BE USED ONLY FOR THE PURPOSE FOR WHICH IT IS SUBMITTED, AND FURTHER, SHALL NOT BE COPIED IN WHOLE OR IN PART WITHOUT EXPRESS WRITTEN PERMISSION FIRST OBTAINED FROM DIXON BRASS.				
UNLESS OTHERWISE SPECIFIED:				
DIMENSIONS ARE IN INCHES		 Dixon Brass Westmont, Illinois USA	DRAWN P. MONAGHAN APPROVED	DATE 4/27/15 DATE
TOLERANCES: ANGLES: $\pm 0^{\circ}30'$.X ($\pm .015$) .XX ($\pm .010$) .XXX ($\pm .005$) DIMENSIONS PER ANSI Y14.5			ECO NO.	DRAWING NOT REPRODUCED TO SCALE
TITLE: REUSABLE MALE STEM		SIZE A	DWG. NO. 1820406S	REV B