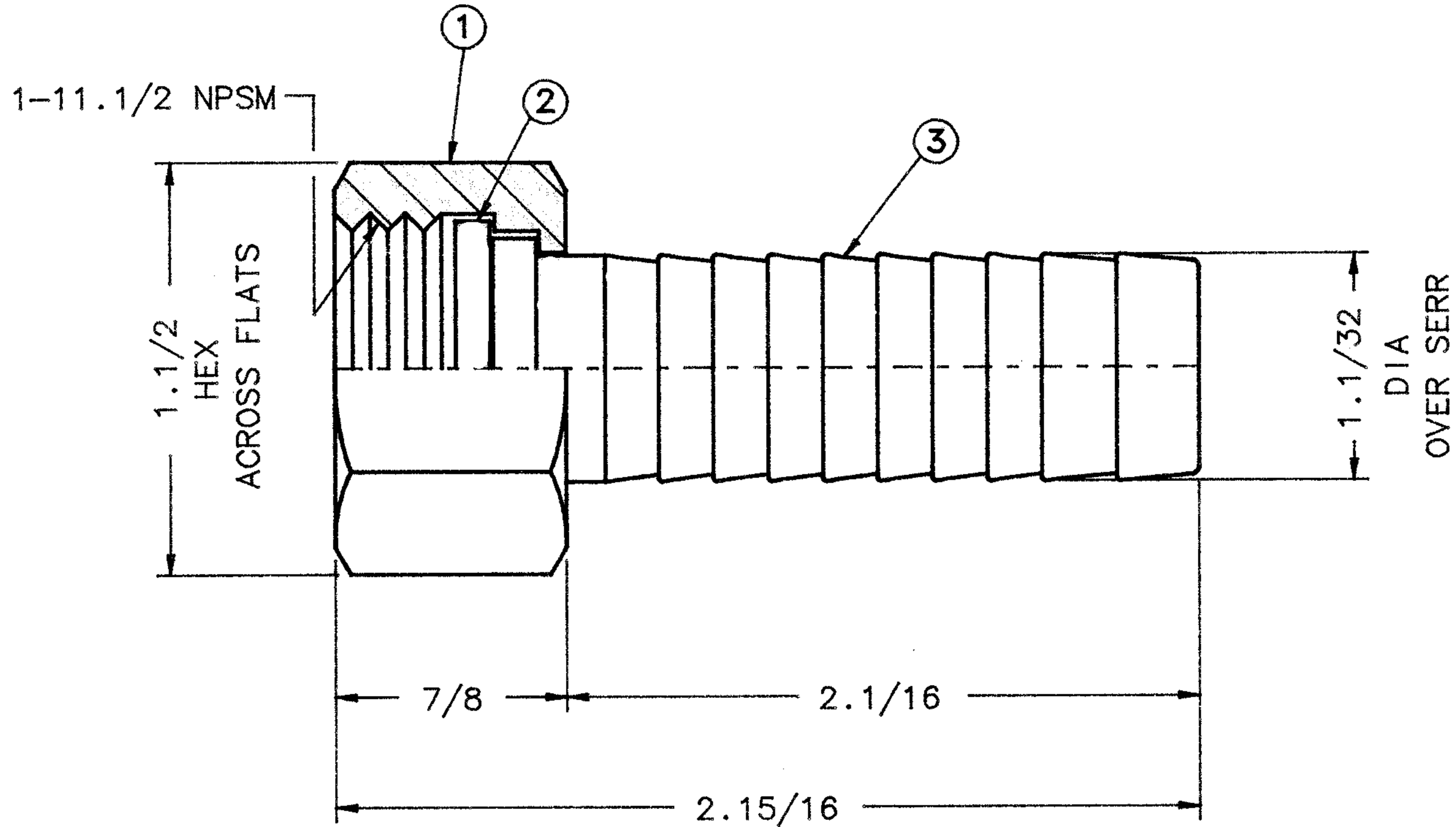


RES-848

SIZE

A

8-20-08



AGREEMENT TO MAINTAIN CONFIDENTIALITY

This drawing is owned by Dixon Valve & Coupling Co. and shall be returned upon demand. It is loaned on condition that it shall not be copied or reproduced or submitted to others without the owners consent. In accepting it subject to this condition the recipient further agrees that this drawing or any design detail or concept disclosed herein shall not be used in any way detrimental to or in competition with the owner. If the recipient does not agree to the terms of this agreement they shall return this drawing immediately.



The Right Connection™

CUSTOMER DWG

3	-	WASHER	RUBBER	1
2	RES-838	1" DIXON FEMALE STEM	316 STAINLESS STEEL	1
1	RES-8	1" DIXON NUT	316 STAINLESS STEEL	1
ITEM	PART NO.	DESCRIPTION	MATERIAL	QTY
		TOLERANCES (UNLESS NOTED)	DIXON VALVE & COUPLING CO.	
		DECIMAL ± -	U. S. A.	
		FRACTION ± 1/32	TITLE	
		ANGLE ± -	1" DIXON SHORT SHANK COUPLING	
		NOT TO SCALE	DRWN. 4/27/92	CHKD. APPR. AK 4-27-92
		MAT'L	SEE B/M	RES-848
REV	BY	DATE	DESCRIPTION	SIZE A